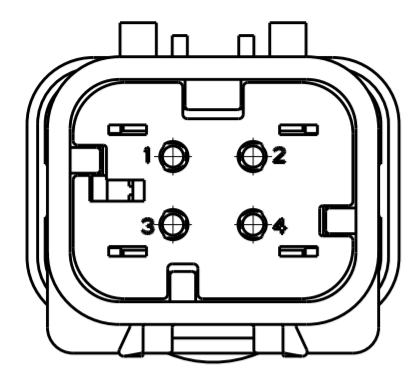
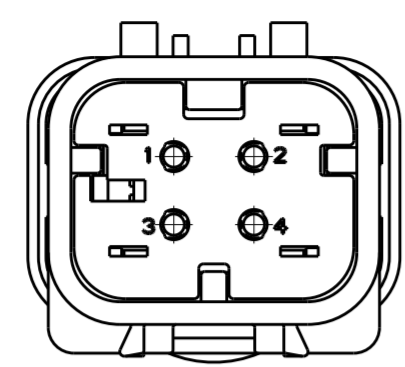


THIS DRAWING IS UNPUBLISHED
RELEASED FOR PUBLICATION
COPYRIGHT 20 BY - ALL RIGHTS RESERVED.

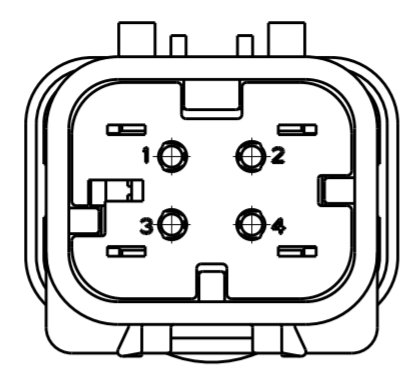
| REVISIONS | | | | |
|-----------|-----|---------------------------|-----------|-------|
| P | LTR | DESCRIPTION | DATE | APVD |
| | D | REVISED PER ECO-13-019168 | 05DEC2013 | DR RB |
| | | | | |
| | | | | |



776488-2
SCALE 2:1

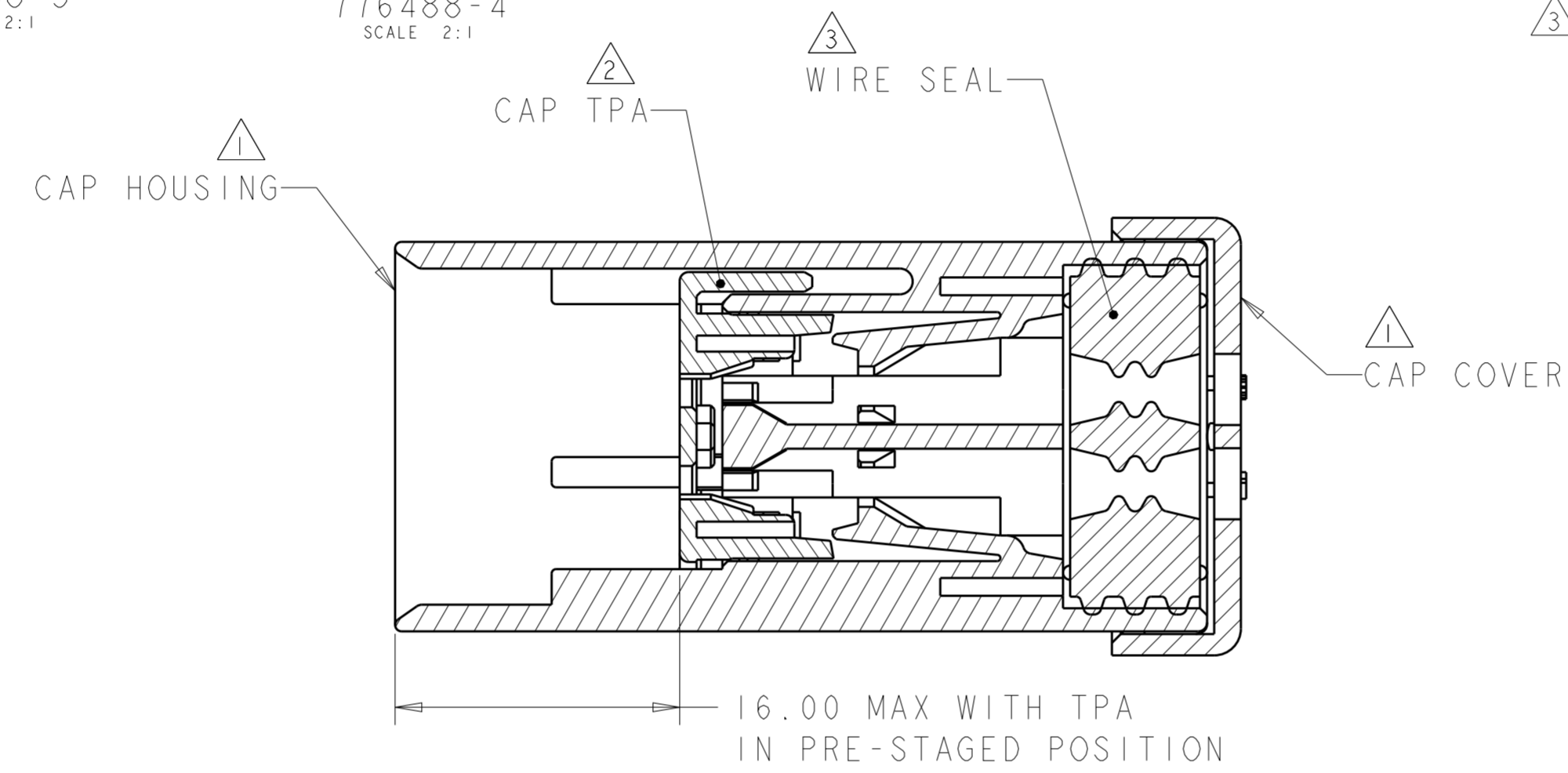


776488-3
SCALE 2:1

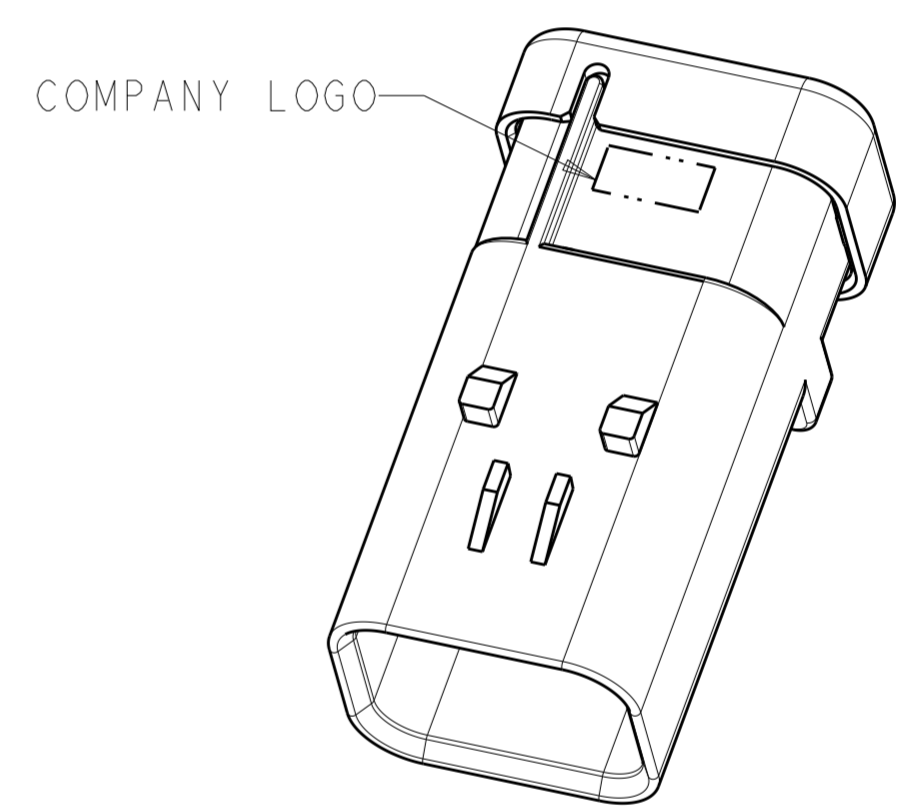


776488-4
SCALE 2:1

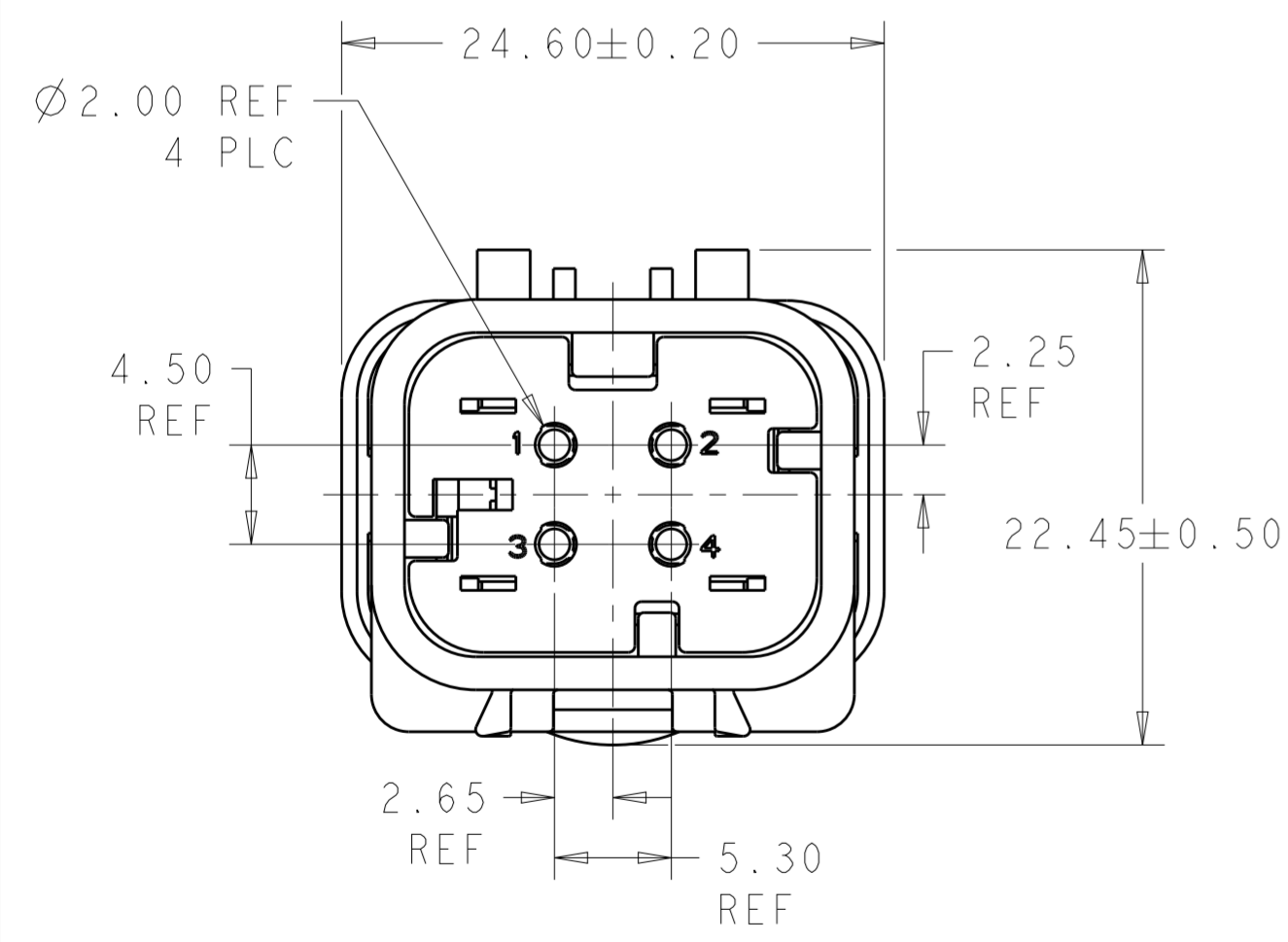
- ① MATERIAL: 15% GLASS FILLED THERMOPLASTIC
COLOR: BLACK
- ② MATERIAL: 15% GLASS FILLED THERMOPLASTIC
COLOR: (SEE TABLE)
- ③ MATERIAL: SILICONE
COLOR: GREEN



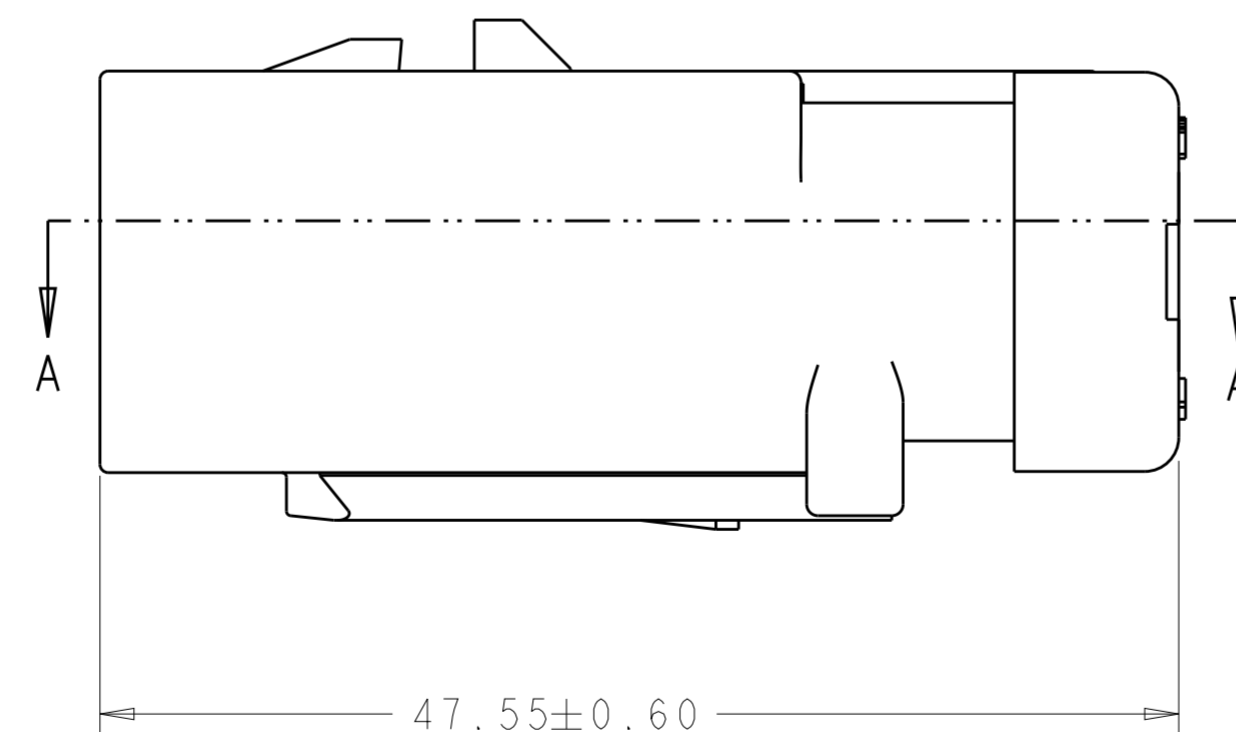
SECTION A-A



SCALE 2:1



776488-1 SHOWN



| | |
|-----------|-------------|
| GREEN | 776488-4 |
| YELLOW | 776488-3 |
| GRAY | 776488-2 |
| RED | 776488-1 |
| TPA COLOR | PART NUMBER |

| | | | | |
|--|--|--------------------------------|--|--|
| THIS DRAWING IS A CONTROLLED DOCUMENT. | | DWN W. HOELSCHER 16DEC02 | STE TE Connectivity | |
| DIMENSIONS: mm | | CHK B. SIMPSON 18DEC02 | | |
| TOLERANCES UNLESS OTHERWISE SPECIFIED: | | APVD D. KLEIN 18DEC02 | NAME CAP ASSEMBLY, 4 POSITION, DUAL ROW, AMPSEAL 16 | |
| 0 PLC ± | | PRODUCT SPEC 108-2184 | SIZE A200779 | |
| 1 PLC ± | | APPLICATION SPEC 114-13065 | CAGE CODE C-776488 | |
| 2 PLC ± | | WEIGHT 14 | DRAWING NO G-776488 | |
| 3 PLC ± | | Customer Drawing | RESTRICTED TO - | |
| 4 PLC ± | | | SCALE 3:1 SHEET 1 OF 1 REV D | |
| ANGLES ± | | | | |
| FINISH - | | | | |